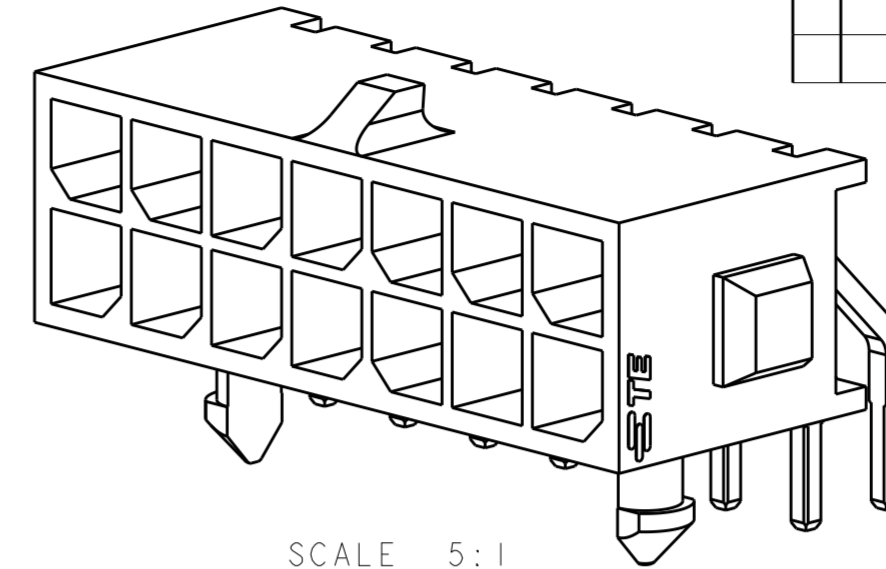
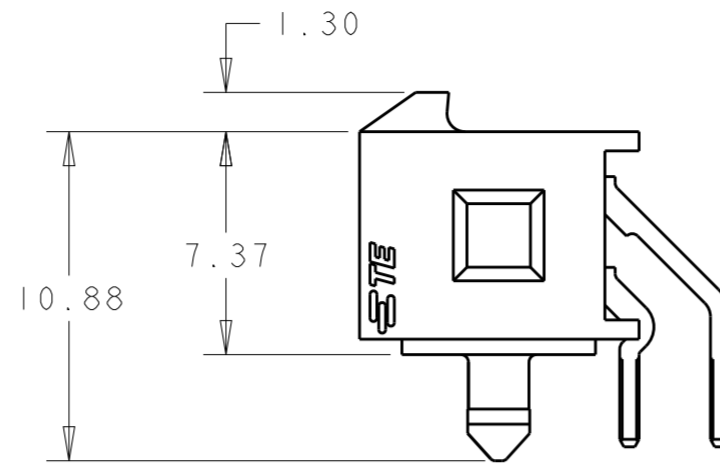
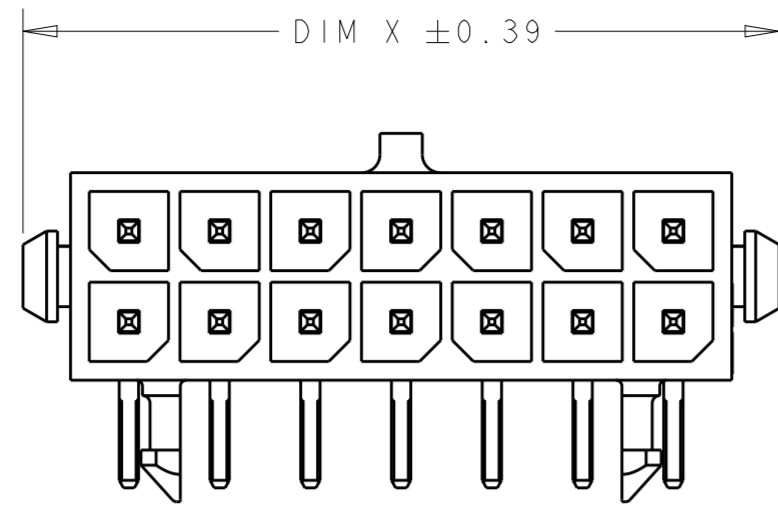
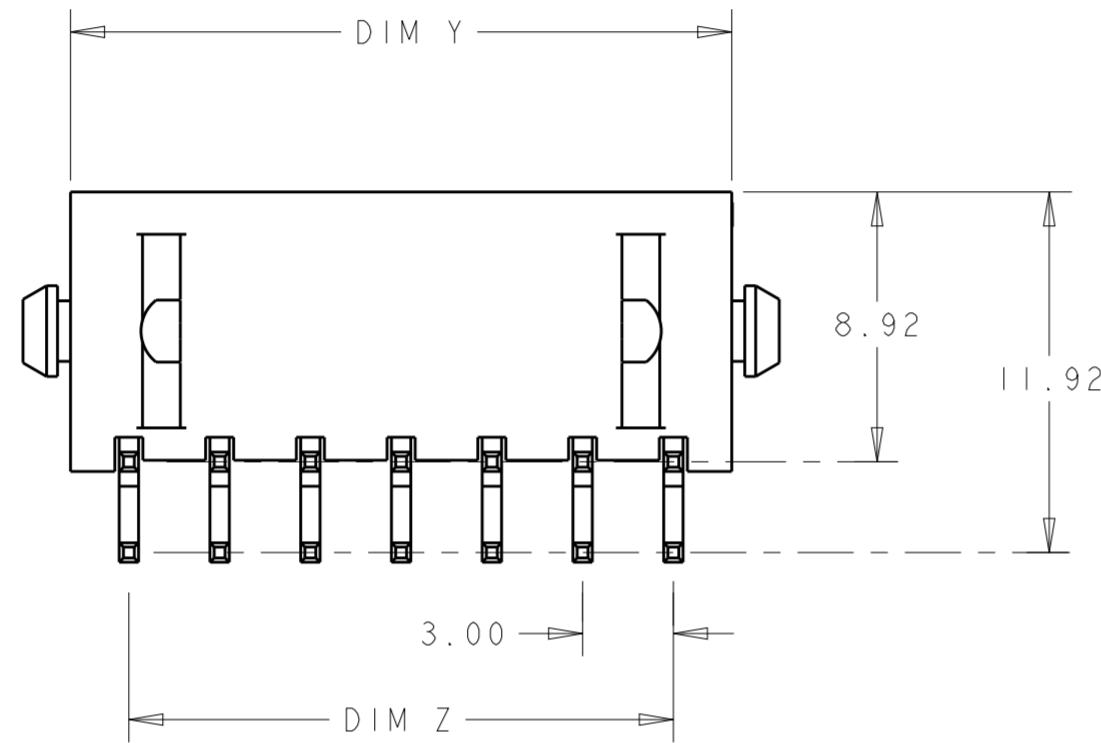


THIS DRAWING IS UNPUBLISHED. RELEASED FOR PUBLICATION 20
 © COPYRIGHT 20 ALL RIGHTS RESERVED.

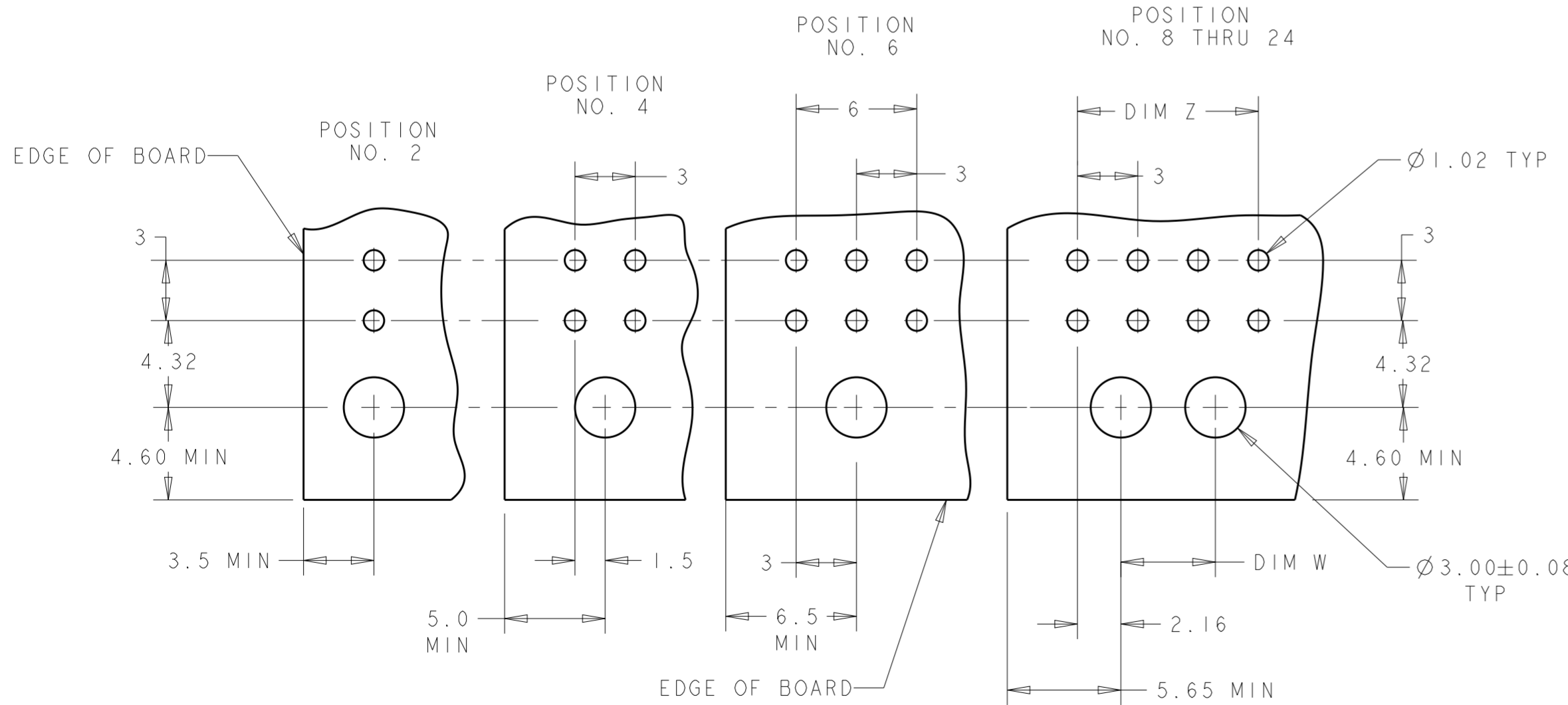
LOC		DIST		REVISIONS			
P	LTR	DESCRIPTION	DATE	DWN	APVD		
CM	00	F	REVISED PER ECO-15-005484	28JUL2015	SC	DZ	



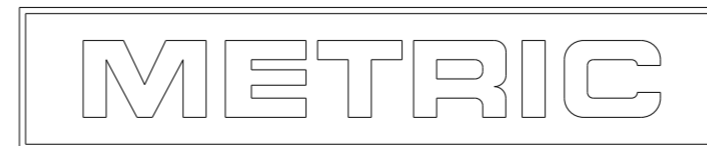
SCALE 5:1



- 1 MATERIAL;
CONTACTS - BRASS.
HOUSING - UL 94V-0 RATED HIGH TEMP NYLON, COLOR; BLACK.
- 2 FINISH;
CONTACTS - 2.54µm MINIMUM TIN-LEAD OVER 1.27µm MINIMUM NICKEL.
- 4 RECOMMENDED PC BOARD THICKNESS OF 1.57.
- 5 FINISH;
CONTACTS - 2.54µm MINIMUM MATTE TIN OVER 1.27µm MINIMUM NICKEL.



RECOMMENDED PCB LAYOUT 4
(COMPONENT SIDE)



5	36.86	28.70	33.00	40.00	24	5-794618-4
	33.86	25.70	30.00	37.00	22	5-794618-2
	30.86	22.70	27.00	34.00	20	5-794618-0
	27.86	19.70	24.00	31.00	18	4-794618-8
	24.86	16.70	21.00	28.00	16	4-794618-6
	21.86	13.70	18.00	25.00	14	4-794618-4
	18.86	10.70	15.00	22.00	12	4-794618-2
	15.86	7.70	12.00	19.00	10	4-794618-0
	12.86	4.70	9.00	16.00	8	3-794618-8
	9.86	-	6.00	13.00	6	3-794618-6
2	6.86	-	3.00	10.00	4	3-794618-4
	3.86	-	-	7.00	2	3-794618-2
	36.86	28.70	33.00	40.00	24	2-794618-4
	33.86	25.70	30.00	37.00	22	2-794618-2
	30.86	22.70	27.00	34.00	20	2-794618-0
	27.86	19.70	24.00	31.00	18	1-794618-8
	24.86	16.70	21.00	28.00	16	1-794618-6
	21.86	13.70	18.00	25.00	14	1-794618-4
	18.86	10.70	15.00	22.00	12	1-794618-2
	15.86	7.70	12.00	19.00	10	1-794618-0
FINISH	12.86	4.70	9.00	16.00	8	794618-8
	9.86	-	6.00	13.00	6	794618-6
	6.86	-	3.00	10.00	4	794618-4
	3.86	-	-	7.00	2	794618-2

THIS DRAWING IS A CONTROLLED DOCUMENT.

DIMENSIONS:	TOLERANCES UNLESS OTHERWISE SPECIFIED:	DWN	B. HAYMAKER	12AUG99
mm	0 PLC ±	CHK	K. COBLE	12AUG99
	1 PLC ±	APVD	K. COBLE	12AUG99
	2 PLC ±0.13	PRODUCT SPEC		
	3 PLC ±	APPLICATION SPEC		
	4 PLC ±	WEIGHT		
	ANGLES ±	CUSTOMER DRAWING		
	FINISH	SCALE	4:1	
	SEE TABLE	SHEET	1	OF

MATERIAL 1

STC TE Connectivity

NAME THRU-HOLE, R/A, TIN HEADER, PLASTIC BOARDLOCK, DUAL ROW, MICRO MATE-N-LOK™

SIZE A2 CAGE CODE 07799 DRAWING NO. C-794618 RESTRICTED TO

SCALE 4:1 SHEET 1 OF 1 REV F